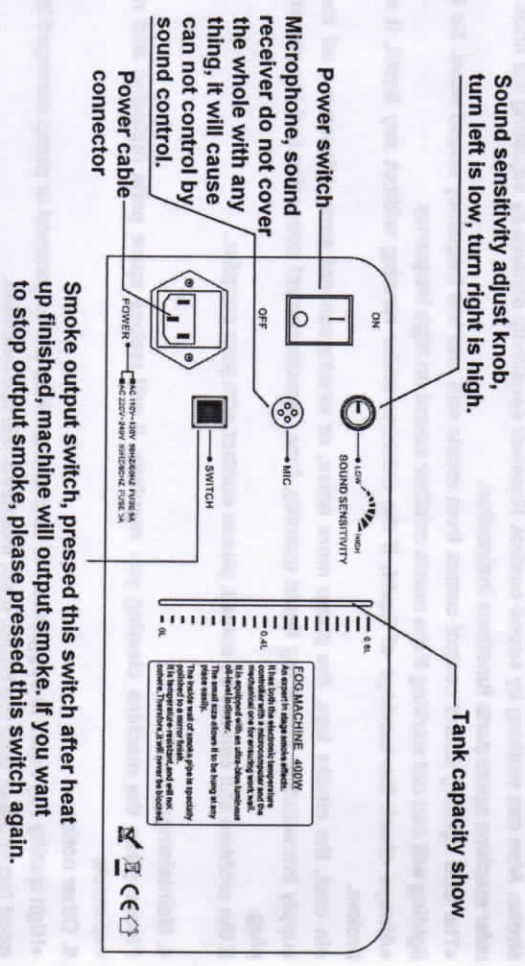
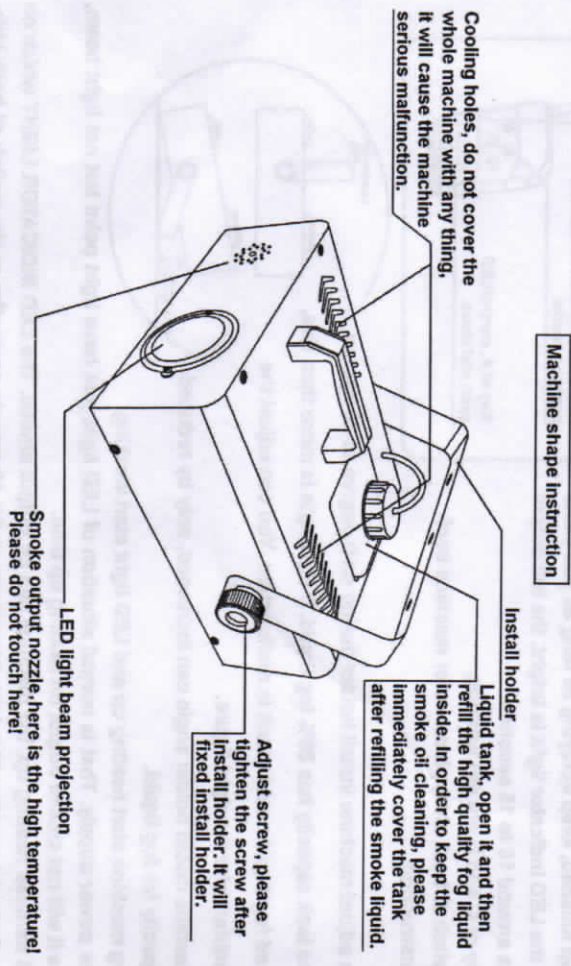


- Operation notice:**
- All smoke machines have condensation function, before setting the machine, please considerate whether spraying nozzle condense the water vapor or dampness around.
 - Occasionally the smoke machines will have a little smoke output during/after working.
 - Normally, less vapor or smoke may happen when the machine working first time.
 - The power cable should put in the out let with earth wire, put the backside switch to "ON", the smoke machine is heating up immediately.

Machine spare parts functions instruction:



The electronics constant temperature fog machine & LED light usage manual

Attention:

1. Before using this product please read the operation instruction first, we will not responsible for any wrong operation.
2. We have the rights to refuse repairing, if the machine breaks down for without using liquid of our company.
3. The smoke machine has some certain of risk under high temperature working, do not open the machine box personally, or free after-services will be not available. Consequences will bear by yourself.
4. Please keep accessories well, we will not provide spare parts for free if lost.
5. The smoke machine's spare parts are based on weak current working, please do not use them in the smoke machine of other brand.

THE ELECTRONICS CONSTANT TEMPERATURE FOG MACHINE & LED LIGHT USAGE MANUAL

In order to let the customers use our series production more easily and safely, it is better to read the instruction before using our series production.

Please obey the regulation in the manual.

We are not responsible for the error operation which is out off the manual.

1. Regulations:

- Before using, please make sure power supply is rated voltage. Please check against the voltage parameter which is on the backboard of the smoke machine whether is matched in the using place.
- Smoke machine must be placed at the ventilation place of indoor, but not where is the air flow less, otherwise the fuse will be broken and the machine can not heat up.
- Before refilling the smoke liquid, please shut down power supply. Before refilling, please pay attention that the smoke liquid can not flow into machine inner part, or electric circuit will break.
- The smoke machine must be put in level, can not be slant or upside down.
- The supply and unplug should be turn off after using.
- The smoke machine is un-waterproof, if some vapor or smoke liquid enter the inner part of machine, please shut down power supply immediately and contact with your supplier.
- The machine do not have any maintain tools for person. Please do not reset machine and open the machine structure by yourself in order to avoid any danger.
- The machine do not cover the whole machine with any thing, it will cause the machine serious malfunction.

The microphone in the back of smoke machine do not cover the whole with any thing, it will cause can not control by sound control.

2. In order avoid any fire or danger, please do follow below instruction:

- This machine is only for adult. Please keep it far away from the children.
 - Do not spray to human body directly and keep it far away from the inflammable and explosive goods.
 - Do keep the spray nozzle between target more than 5 meters when using, as the output smoke temperature is very high
- The max temperature of machine surface may reach 40-80°C, please do not touch.
- The smoke machine should be put in the good ventilated place. Do not cover the whole machine with any thing, it will cause the heating emanation out of working, and may catch fire as too high temperature.
 - Do not let the machine get in touch with the ground in carpet and wood. Keep the machine with ground more than 50cm in vertical and do not put any inflammable and explosive goods around 300cm.
- Usually, the fog machine can not be hanged up. If hang up working is needed, please fix the machine hard and in balance by the attached tool with the machine. In this case, around 2m² in vertical, please do not put any inflammable and explosive goods and guarantee air flow in good condition.
- Can not add any easy burning liquid in oil tank, such as oil, gas or any flavor.

3. Operations:

- Put the machine on a level place, open oil tank, and then refill the high quality fog liquid inside. In order to keep the smoke oil cleaning, please immediately cover the tank after refilling the smoke liquid.

• First of all, please connect power cable, and then open power supply switch, machine start to heating up. After 4 to 5 minutes, fog machine heat up finished. And then LED INDICATOR LIGHT which on the top of output nozzle will bright. Please press CR-10 remote controller or the switch of back side, machine will output smoke.

• That has 4 keys on CR-10 remote controller:

- The key of A can control light open and close.
- The key of B can control fog machine output when its heat up finished, keep spraying as long as you want when the LED indicator light is bright, the full output time is around 10 to 15 seconds.
- The key of C and D are not working.
- The switch of back side, please refer machine back side instruction.

CR-10 REMOTE CONTROLLER

ANTENNA

Cover of remote controller, please close it when finished working, can prevent mistake touch buttons and role of dust.

Key of B, fog machine heat up finishing, presses this key can spraying smoke.

Key of A, control LED open and close.

- Please adjust machine install holder during on 0 degree to 30 degree, when the tank capacity has 80% fog liquid. If the angle is more than this, it will lead fog liquid could result in malfunction. You can adjust the install holder refer the right figure.
- The machine install holder angle can increased, only by reduced tank capacity for fog liquid.
- The fog machine start heating up and LED light start working after has power supply. That is normal situation of LED light just have light point but not light beam, because it will not smoke output on heating up time.

- After 5 minutes heating up, the machine can be output smoke. The LED INDICATOR LIGHT which on the top of output nozzle will bright. Please press CR-10 remote controller or the switch of back side, machine will output smoke.
- The light beam will show after smoke output. The light has functions of rotation, auto running and strobe. Also can working by sound control. Receiver sensitivity achieve by adjusting the knob. Please refer machine spare parts functions instruction.
- The LED lighting sound control comes from music mid and low frequency sound wave. So the LED lighting will can not working if the music or other sound on high frequency.
- Always check the leavings of liquid, if the machine under running without any liquid, it must be broken.
- In cast, the smoke less, the pump more noise, or smoke can not spray, please cut off the power supply immediately, check fog liquid quantity, fuse, remote control connector and the power supply plug.

If the problem still can not be solved, please contact with your supplier..

4. Maintaining:

- Please clean the machine clearing you regularly, it will reduce spare parts replacing and repairing expenses.
- ### 5. Other notice:
- High quality fog liquid is suggested. All smoke machines will be jammed or pump damaged by the no good fog liquid or duty fog liquid. If so, maintains will not available.
 - Please clean machine by dry cloth, and store it under clean condition.